



DUX DYNAMIC  
CONNECTING PLATE



INSTRUCTIONS

DUX, DUXIANA and DUX Pascal-systems are registered  
trademark owed by Dux Design AB 2012.  
Printed 2021.02.01

[dux.com](http://dux.com)



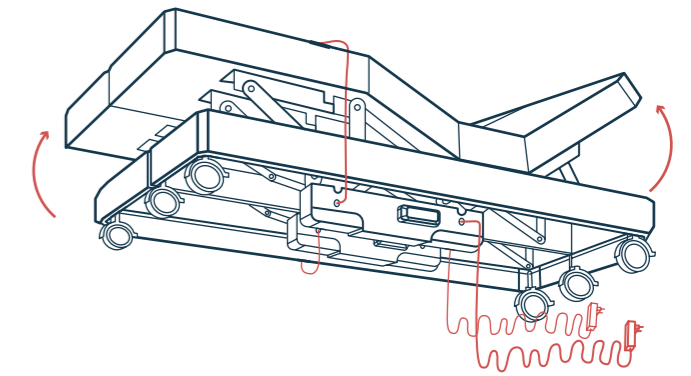
## TOOLS NEEDED



Torx

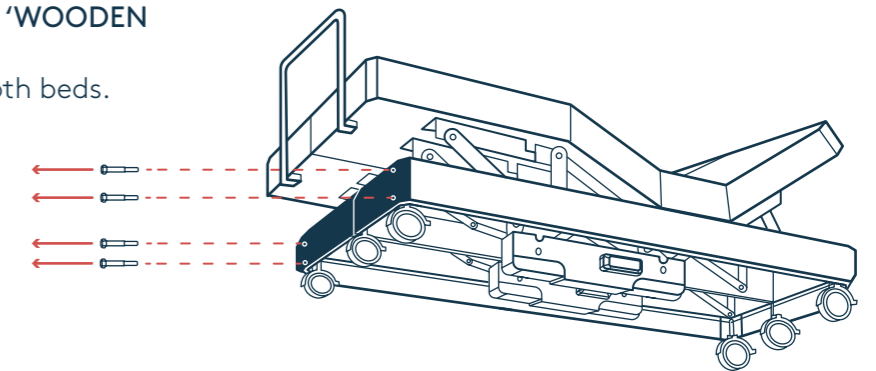
## ASSEMBLING

### I. LIFT BED UP

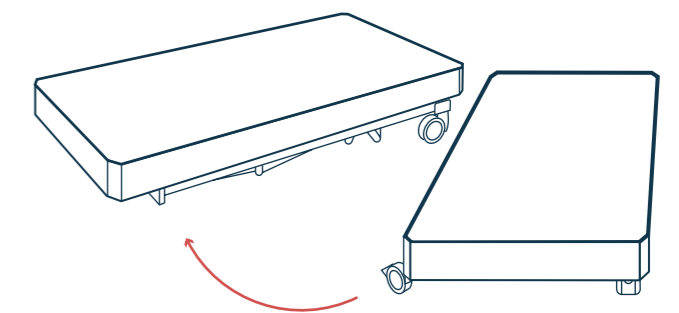


### II. REMOVE FRONT AND BACK 'WOODEN BLACK SKIRT'

Repeat the same process on both beds.

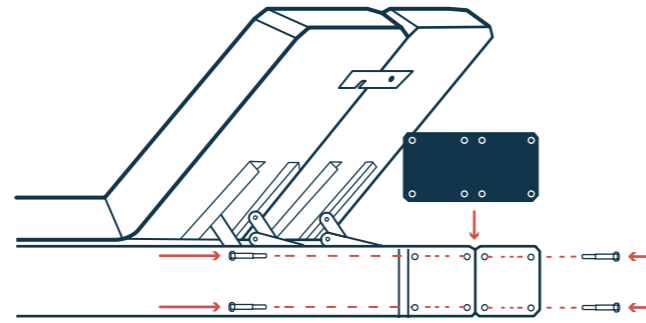


### III. JOIN BEDS TOGETHER



#### IV. ASSEMBLE THE NEW 'WOODEN CONNECTING PLATE'

Repeat the same process in the front.



---

#### CONSUMER CAUTION

Do not sit on the head- or foot-end while adjusting the bed.



---

#### TROUBLE SHOOTING

##### PROBLEM

Lift motors do not work at all.

##### POSSIBLE CAUSE AND CORRECTION

Power at wall outlet may be out; reset circuit breaker.

Power cord may be unplugged; plug in cord.

Hand control batteries are low; replace batteries.

##### PROBLEM

Head or foot section will not go all way down.

##### POSSIBLE CAUSE AND CORRECTION

Head or foot section may have an obstruction.

Move the bed to the up position, then remove the obstruction.

If the problem persists, contact Customer Service.

##### PROBLEM

Head or foot end will not go up or starts and stops intermittently.

##### POSSIBLE CAUSE AND CORRECTION

Contact the DUXIANA store or a DUX reseller.

All replacements and service should be performed by a DUX authorized service dealer.