



DUX AXION 19  
TWIN/90-120



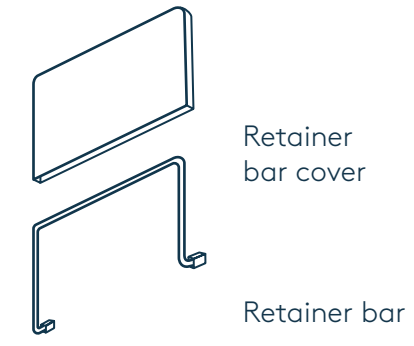
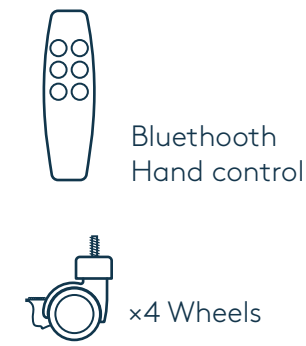
ASSEMBLY INSTRUCTIONS

DUX, DUXIANA and DUX Pascal-systems are registered  
trademark owed by Dux Design AB 2012.  
Printed 2021.02.01

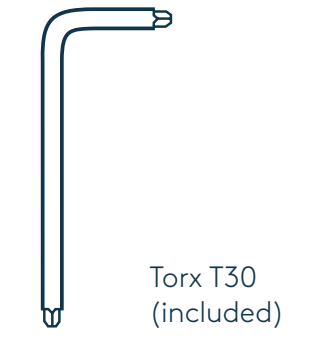
[dux.com](http://dux.com)



## HARDWARE



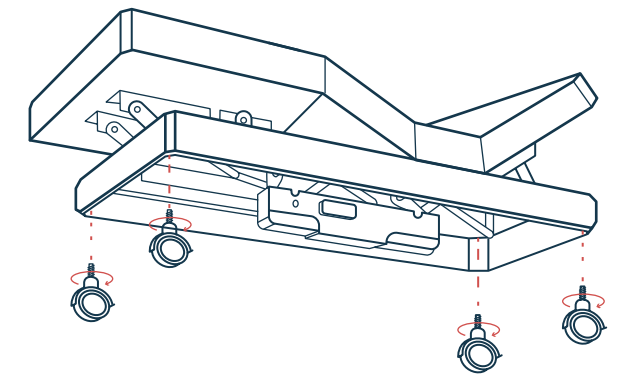
## TOOLS NEEDED



## ASSEMBLING

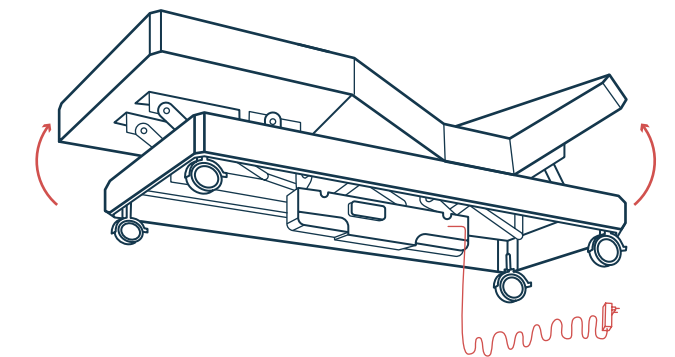
### I. ATTACH THE WHEELS

Flip the bed over and attach the wheels.



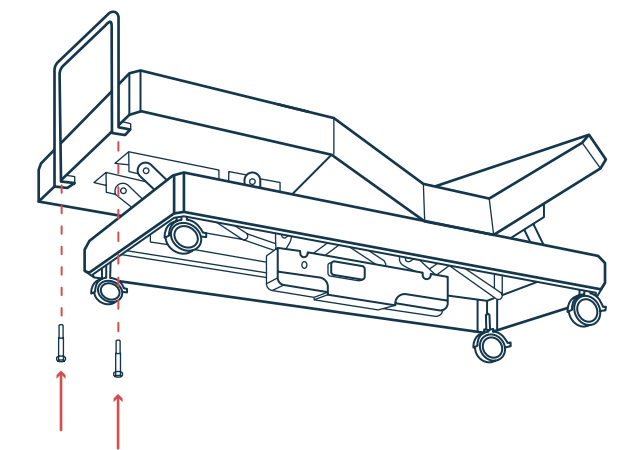
### II. RAISE THE HEAD AND FOOT END

Plug the outlet. Connect the remote control to motor. (Follow the remote instructions.)  
Raise the head and the footend to the maximum height.

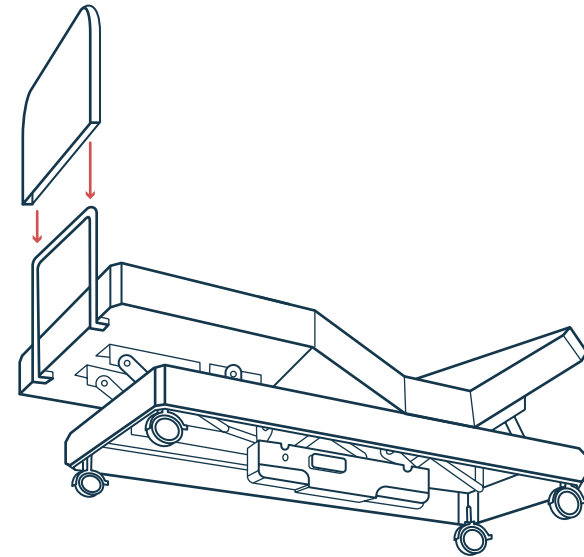


### III. MOUNT THE RETAINER BAR

While the head and foot ends are raised, mount the retainer bar. Remove the screws at the foot end and use them to fasten the retainer bar to the bed.

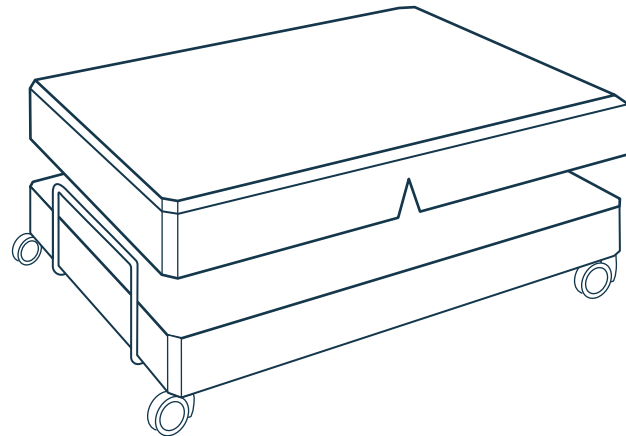


**IV. ADD THE COVER TO THE RETAINER BAR**



**IV. LOWER THE BED AND ADD THE SPRINGTOP**

Lower the bed to the original flat position and add the springtop with the split at the head end of the bed.



**THE HAND CONTROL**

both head and foot end up



both head and foot end down

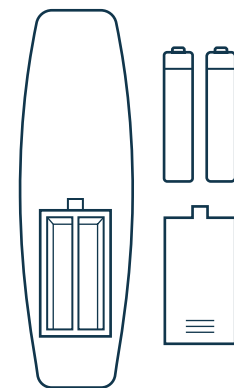
head end up

head end down

foot end up

foot end down

**POWER RESERVE**



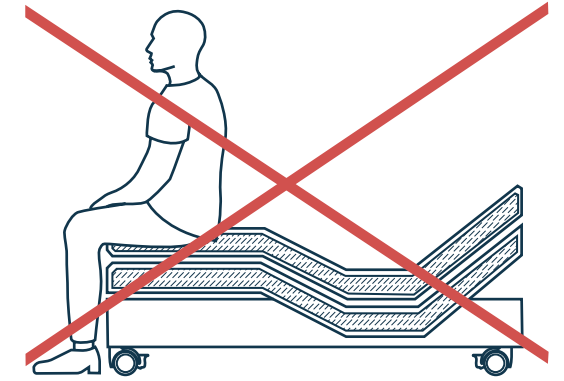
The remote control comes with two AAA batteries. The batteries are used to lower the ends to their original flat position in the case of a power failure. (Test batteries often)

The motor comes with two 9 volts batteries. The batteries are used to lower the ends to their original flat position in the case of a power failure. (Test batteries often)

**NOTE:** The bed cannot be raised with only battery power.

**CONSUMER CAUTION**

Do not sit on the head or foot end while adjusting the bed.



**TROUBLE SHOOTING**

**PROBLEM**

Lift motors do not work at all.

**POSSIBLE CAUSE AND CORRECTION**

Power at wall outlet may be out; reset circuit breaker.

Power cord may be unplugged; plug in cord.

Hand control batteries are low; replace batteries.

**PROBLEM**

Head or foot section will not go all way down.

**POSSIBLE CAUSE AND CORRECTION**

Head or foot section may have an obstruction.

Move the bed to the up position, then remove the obstruction.

If the problem persists, contact Customer Service.

**PROBLEM**

Head or foot end will not go up or starts and stops intermittently.

**POSSIBLE CAUSE AND CORRECTION**

Contact the DUXIANA store or a DUX reseller.

All replacements and service should be performed by a DUX authorized service dealer.